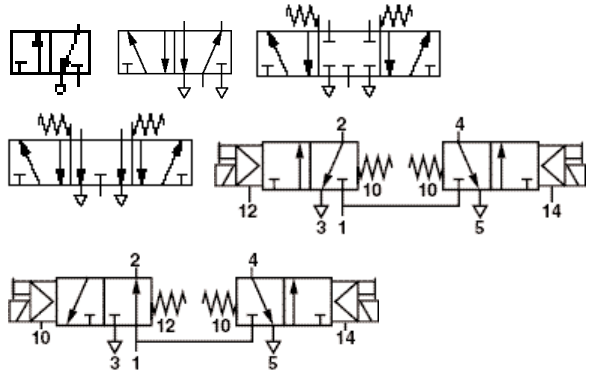


V60-63 SERIES

In-line valves

Solenoid and pilot actuated

3/2, 5/2, 5/3 and 2 x 3/2



High flow rate

Small volumetric size

Proven sealing system

Different manual override options as standard

Maintenance-free

Low power consumption (2 W)

Application oriented pilot controls

TECHNICAL DATA

Medium:

Compressed air, filtered to 50 µm, lubricated or non lubricated.

Operation:

Electromagnetically or pneumatically controlled

Connection:

G1/8 up to G1/2

Operating pressure:

1,5/2 up to 8/10 bar

Flow:

Size	3/2, 5/2	2 x 3/2, 5/3
G1/8	750	500
G1/4	1300	950
G3/8	2600	1900
G1/2	4200	2200 (5/3)

Ambient temperature:

-10°C to +50°C

Fluid temperature:

-10°C to +50°C

Consult our Technical Service for use below +2°C.

3/2 valves, solenoid actuated

Function	Port size	Actuation	Pilot supply	Pilot exhaust	Flow (l/min)	Operating pressure (bar)	Pilot pressure (bar)	Model
NC	G1/8	Sol/air	Internal	Not collected	750	2 ... 8	-	V60A413A-A#***
NC	G1/8	Sol/air	External	Not collected	750	-0,9 ... 8	3 ... 8	V60A423A-A#***
NC	G1/8	Sol/spring	Internal	Not collected	750	3 ... 8	-	V60A417A-A#***
NC	G1/8	Sol/air	Internal	Collected	750	2 ... 10	-	V60A413D-C#13A
NC	G1/4	Sol/air	Internal	Not collected	1300	2 ... 8	-	V61B413A-A#***
NC	G1/4	Sol/air	External	Not collected	1300	-0,9 ... 8	3 ... 8	V61B423A-A#***
NC	G1/4	Sol/spring	Internal	Not collected	1300	3 ... 8	-	V61B417A-A#***
NC	G1/4	Sol/air	Internal	Collected	1300	2 ... 10	-	V61B413D-C#13A
NC	G3/8	Sol/air	Internal	Not collected	2600	2 ... 8	-	V62C413A-A#***
NC	G3/8	Sol/air	External	Not collected	2600	-0,9 ... 8	3 ... 8	V62C423A-A#***
NC	G1/2	Sol/air	Internal	Not collected	4200	2 ... 8	-	V63D413A-A#***
NC	G1/2	Sol/air	External	Not collected	4200	-0,9 ... 8	3 ... 8	V63D423A-A#***
NO	G1/8	Sol/air	Internal	Not collected	750	2 ... 8	-	V60A313A-A#***
NO	G1/8	Sol/air	External	Not collected	750	-0,9 ... 8	3 ... 8	V60A323A-A#***
NO	G1/4	Sol/air	Internal	Not collected	1300	2 ... 8	-	V61B313A-A#***
NO	G1/4	Sol/air	External	Not collected	1300	-0,9 ... 8	3 ... 8	V61B323A-A#***
NO	G3/8	Sol/air	Internal	Not collected	2600	2 ... 8	-	V62C313A-A#***
NO	G1/2	Sol/air	Internal	Not collected	4200	2 ... 8	-	V63D313A-A#***
-	G1/8	Sol/Sol	Internal	Not collected	750	1,5 ... 8	-	V60A411A-A#***
-	G1/8	Sol/Sol	External	Not collected	750	-0,9 ... 8	3 ... 8	V60A422A-A#***
-	G1/4	Sol/Sol	Internal	Not collected	1300	1,5 ... 8	-	V61B411A-A#***
-	G1/4	Sol/Sol	External	Not collected	1300	-0,9 ... 8	3 ... 8	V61B422A-A#***
-	G3/8	Sol/Sol	Internal	Not collected	2600	1,5 ... 8	-	V62C411A-A#***
-	G3/8	Sol/Sol	External	Not collected	2600	-0,9 ... 8	3 ... 8	V62C422A-A#***
-	G1/2	Sol/Sol	Internal	Not collected	4200	1,5 ... 8	-	V63D411A-A#***
-	G1/2	Sol/Sol	External	Not collected	4200	-0,9 ... 8	3 ... 8	V63D422A-A#***

2 x 3/2 valves, solenoid actuated

Function	Port size	Actuation	Pilot supply	Pilot exhaust	Flow (l/min)	Operating pressure (bar)	Pilot pressure (bar)	Model
NC	G1/8	Sol/Sol	Internal	Not collected	500	2 ... 8	-	V60AA11A-A#***
NC	G1/8	Sol/Sol	Internal	Collected	500	2 ... 10	-	V60AA11D-C#13A
NC	G1/4	Sol/Sol	Internal	Not collected	950	2 ... 8	-	V61BA11A-A#***
NC	G1/4	Sol/Sol	Internal	Collected	950	2 ... 10	-	V61BA11D-C#13A
NC	G3/8	Sol/Sol	Internal	Not collected	1900	2 ... 8	-	V62CA11A-A#***
NO	G1/8	Sol/Sol	Internal	Not collected	500	2 ... 8	-	V60AB11A-A#***
NO	G1/4	Sol/Sol	Internal	Not collected	950	2 ... 8	-	V61BB11A-A#***
NO/NC	G1/8	Sol/Sol	Internal	Not collected	500	2 ... 8	-	V60AC11A-A#***
NO/NC	G1/8	Sol/Sol	Internal	Collected	500	2 ... 10	-	V60AC11D-C#13A
NO/NC	G1/4	Sol/Sol	Internal	Not collected	950	2 ... 8	-	V61BC11A-A#***

*** Insert coil code from table below or 000 for version without solenoid. For manual override options, substitute '#' as follows:

2 = push and lock, 3 = push only.

NC = Normally closed, NO = Normally open

NC/NC = Both valves normally closed [port P] NO/NO = Both valves normally open [port P] NO/NC = 1 valve normally open, 1 valve normally closed [port P]. Note: 2 x 3/2 valves must be used in a manifold system.

For technical information about solenoid variants, please see 'Coil and voltage codes' on page 75

5/2 valves, solenoid actuated

Port size	Actuation	Pilot supply	Pilot exhaust	Flow (l/min)	Operating pressure (bar)	Pilot pressure (bar)	Model
G1/8	Sol/air	Internal	Not collected	750	2 ... 8	-	V60A513A-A#***
G1/8	Sol/air	External	Not collected	750	-0,9 ... 8	3 ... 8	V60A523A-A#***
G1/8	Sol/Spring	Internal	Not collected	750	3 ... 8	-	V60A517A-A#***
G1/8	Sol/air	Internal	Collected	750	2 ... 10	-	V60A513D-C#13A
G1/8	Sol/air	External	Collected	750	-0,9 ... 10	3 ... 10	V60A523D-C#13A
G1/4	Sol/air	Internal	Not collected	1300	2 ... 8	-	V61B513A-A#***
G1/4	Sol/air	External	Not collected	1300	-0,9 ... 8	3 ... 8	V61B523A-A#***
G1/4	Sol/Spring	Internal	Not collected	1300	3 ... 8	-	V61B517A-A#***
G1/4	Sol/air	Internal	Collected	1300	2 ... 10	-	V61B513D-C#13A
G3/8	Sol/air	Internal	Not collected	2600	2 ... 8	-	V62C513A-A#***
G3/8	Sol/air	External	Not collected	2600	-0,9 ... 8	3 ... 8	V62C523A-A#***
G3/8	Sol/Spring	Internal	Not collected	2600	3 ... 8	-	V62C517A-A#***
G3/8	Sol/Spring	External	Not collected	2600	-0,9 ... 8	3 ... 8	V62C527A-A#***
G1/2	Sol/air	Internal	Not collected	4200	2 ... 8	-	V63D513A-A#***
G1/2	Sol/air	External	Not collected	4200	-0,9 ... 8	3 ... 8	V63D523A-A#***
G1/2	Sol/Spring	Internal	Not collected	4200	3 ... 8	-	V63D517A-A#***
G1/8	Sol/Sol	Internal	Not collected	750	2 ... 8	-	V60A511A-A#***
G1/8	Sol/Sol	External	Not collected	750	-0,9 ... 8	3 ... 8	V60A522A-A#***
G1/8	Sol/Sol	Internal	Collected	750	2 ... 10	-	V60A511D-C#13A
G1/4	Sol/Sol	Internal	Not collected	1300	2 ... 8	-	V61B511A-A#***
G1/4	Sol/Sol	External	Not collected	1300	-0,9 ... 8	3 ... 8	V61B522A-A#***
G1/4	Sol/Sol	Internal	Collected	1300	2 ... 10	-	V61B511D-C#13A
G3/8	Sol/Sol	Internal	Not collected	2600	2 ... 8	-	V62C511A-A#***
G3/8	Sol/Sol	External	Not collected	2600	-0,9 ... 8	3 ... 8	V62C522A-A#***
G1/2	Sol/Sol	Internal	Not collected	4200	2 ... 8	-	V63D511A-A#***

5/3 valves, solenoid actuated

Function	Port size	Actuation	Pilot supply	Pilot exhaust	Flow (l/min)	Operating pressure (bar)	Pilot pressure (bar)	Model
APB	G1/8	Sol/Sol	Internal	Not collected	500	3 ... 8	-	V60A611A-A#***
APB	G1/8	Sol/Sol	External	Not collected	500	-0,9 ... 8	3 ... 8	V60A622A-A#***
APB	G1/8	Sol/Sol	External	Collected	500	-0,9 ... 10	3 ... 10	V60A622D-C#13A
APB	G1/4	Sol/Sol	Internal	Not collected	950	3 ... 8	-	V61B611A-A#***
APB	G1/4	Sol/Sol	External	Not collected	950	-0,9 ... 8	3 ... 8	V61B622A-A#***
APB	G1/4	Sol/Sol	Internal	Collected	950	3 ... 10	-	V61B611D-C#13A
APB	G3/8	Sol/Sol	Internal	Not collected	1900	3 ... 8	-	V62C611A-A#***
APB	G3/8	Sol/Sol	External	Not collected	1900	-0,9 ... 8	3 ... 8	V62C622A-A#***
APB	G1/2	Sol/Sol	Internal	Not collected	2200	2,5 ... 8	-	V63D611A-A#***
COE	G1/8	Sol/Sol	Internal	Not collected	500	3 ... 8	-	V60A711A-A#***
COE	G1/8	Sol/Sol	External	Not collected	500	-0,9 ... 8	3 ... 8	V60A722A-A#***
COE	G1/4	Sol/Sol	Internal	Not collected	950	3 ... 8	-	V61B711A-A#***
COE	G1/4	Sol/Sol	External	Not collected	950	-0,9 ... 8	3 ... 8	V61B722A-A#***
COE	G1/4	Sol/Sol	Internal	Collected	950	3 ... 10	-	V61B711D-C#13A
COE	G3/8	Sol/Sol	Internal	Not collected	1900	3 ... 8	-	V62C711A-A#***
COE	G3/8	Sol/Sol	External	Not collected	1900	-0,9 ... 8	3 ... 8	V62C722A-A#***
COE	G1/2	Sol/Sol	Internal	Not collected	2200	2,5 ... 8	-	V63D711A-A#***
COP	G1/8	Sol/Sol	Internal	Not collected	500	3 ... 8	-	V60A811A-A#***
COP	G1/4	Sol/Sol	Internal	Not collected	950	3 ... 8	-	V61B811A-A#***
COP	G1/4	Sol/Sol	External	Not collected	950	-0,9 ... 8	3 ... 8	V61B822A-A#***
COP	G3/8	Sol/Sol	Internal	Not collected	1900	3 ... 8	-	V62C811A-A#***

*** Insert coil code from table below or 000 for version without solenoid. For manual override options, substitute # as follows:

2 = push and lock, 3 = push only.

APB = All Ports Blocked, COE = Centre Open Exhaust, COP = Centre Open Pressure.

COIL & VOLTAGE CODES

22 mm coil DIN EN 175 301-803 (DIN 43650 B)

Voltage	Coil code	Power inrush/hold	Model
24 V d.c.	13L	2 W	V10626-A13L
24 V 50/60 Hz	14L	4/2,5 VA	V10626-A14L
48 V 50/60 Hz	16L	4/2,5 VA	V10626-A16L
110/120 V 50/60 Hz	18L	4/2,5 VA	V10626-A18L
220/240 V 50/60 Hz	19L	6/5 VA	V10626-A19L

22 mm coil industrial standard

Voltage	Coil code	Power inrush/hold	Model
24 V d.c.	13J	2 W	QM/48/13J/21
24 V 50/60 Hz	14J	4/2,5 VA	QM/48/14J/21
48 V 50/60 Hz	16J	4/2,5 VA	QM/48/16J/21
110/120 V 50/60 Hz	18J	4/2,5 VA	QM/48/18J/21
220/240 V 50/60 Hz	19J	6/5 VA	QM/48/19J/21

Connector plugs must be ordered separately – see page 77

V60-63 SERIES

In-line valves

Solenoid and pilot actuated

3/2, 5/2, 5/3 and 2 x 3/2

3/2 valves, pilot actuated

Function	Port size	Operator 12	Operator 10	Flow (l/min)	Operating pressure (bar)	Pilot pressure (bar)	Model
NC	G1/8	Air	Spring	750	-0,9 ... 10	2,5 ... 10	V60A4D7A-XA090
NC	G1/4	Air	Spring	1300	-0,9 ... 10	2,5 ... 10	V61B4D7A-XA090
NC	G3/8	Air	Spring	2600	-0,9 ... 10	2,5 ... 10	V62C4D7A-XA090
NC	G1/2	Air	Spring	4200	-0,9 ... 16	3 ... 16	V63D4D7A-XA090
NO	G1/8	Spring	Air	750	-0,9 ... 10	2,5 ... 10	V60A3D7A-XA090
NO	G1/4	Spring	Air	1300	-0,9 ... 10	2,5 ... 10	V61B3D7A-XA090
NO	G3/8	Spring	Air	2600	-0,9 ... 10	2,5 ... 10	V62C3D7A-XA090
NO	G1/2	Spring	Air	4200	-0,9 ... 16	3 ... 16	V63D3D7A-XA090
-	G1/8	Air	Air	750	-0,9 ... 10	1,5 ... 10	V60A4DDA-XA020
-	G1/4	Air	Air	1300	-0,9 ... 10	1,5 ... 10	V61B4DDA-XA020
-	G1/2	Air	Air	4200	-0,9 ... 16	1,5 ... 16	V63D4DDA-XA020

NC = Normally closed, NO = Normally open

2 x 3/2 valves, pilot actuated

Function	Port size	Operator 14	Operator 12	Flow (l/min)	Operating pressure (bar)	Pilot pressure (bar)	Model
NC	G1/8	Air	Air	500	2 ... 10	2 ... 10	V60AADDA-XA020
NC	G1/4	Air	Air	950	2 ... 10	2 ... 10	V61BADDA-XA020

5/2 valves, pilot actuated

Port size	Operator 12	Operator 10	Flow (l/min)	Operating pressure (bar)	Pilot pressure (bar)	Model
G1/8	Air	Spring	750	-0,9 ... 10	2,5 ... 10	V60A5D7A-XA090
G1/4	Air	Spring	1300	-0,9 ... 10	2,5 ... 10	V61B5D7A-XA090
G3/8	Air	Spring	2600	-0,9 ... 10	2,5 ... 10	V62C5D7A-XA090
G1/2	Air	Spring	4200	-0,9 ... 16	3 ... 16	V63D5D7A-XA090
G1/8	Air	Air	750	-0,9 ... 10	1,5 ... 10	V60A5DDA-XA020
G1/4	Air	Air	1300	-0,9 ... 10	1,5 ... 10	V61B5DDA-XA020
G3/8	Air	Air	2600	-0,9 ... 10	1,5 ... 10	V62C5DDA-XA020
G1/2	Air	Air	4200	-0,9 ... 16	1,5 ... 16	V63D5DDA-XA020

5/3 valves, pilot actuated

Function	Port size	Operator 14	Operator 12	Flow (l/min)	Operating pressure (bar)	Pilot pressure (bar)	Model
APB	G1/8	Air	Air	500	-0,9 ... 10	3 ... 10	V60A6DDA-XA020
APB	G1/4	Air	Air	950	-0,9 ... 10	3 ... 10	V61B6DDA-XA020
APB	G3/8	Air	Air	1900	-0,9 ... 10	3 ... 10	V62C6DDA-XA020
COE	G1/8	Air	Air	500	-0,9 ... 10	3 ... 10	V60A7DDA-XA020
COE	G1/4	Air	Air	950	-0,9 ... 10	3 ... 10	V61B7DDA-XA020
COP	G1/8	Air	Air	500	-0,9 ... 10	3 ... 10	V60A8DDA-XA020

Note: Internal switching in middle position via spring.

APB = All Ports Blocked, COE = Centre Open Exhaust, COP = Centre Open Pressure.

ACCESSORIES

Valves

Silencer sintered bronze



0014510	G1/8
0014610	G1/4
0014710	G3/8
0014810	G1/2

Connectors

Industrial standard 22 mm
2-pole + PE



0680000 15...30 V d.c.; LED, surge suppression

DIN EN 175301-803
(DIN 43650 B)
2-pole + PE



0680003 12 ... 250 V a.c./d.c.

0664811 15 ... 30 V d.c.; LED, surge suppression

0664812 150 ... 250 V a.c.; glim lamp





DIN EN 175301-803
(DIN 43650 C)
3-pole + PE



0588666 12...250 V a.c./d.c.

0102144 12...250 V a.c./d.c.; cable 3 m

22 mm Plugs according to Industrial Standard

Connector	Cable length	Voltage		Features	Model	
		a.c.	d.c.			
	Plug with moulded cable	1000 mm	-	-	M/P43313/1	
	Plug with moulded cable	3000 mm	-	-	M/P43313/3	
	Indicator plug	-	10 ... 50 V	10 ... 50 V	Lamp	M/P24121/1
	Indicator plug	-	70 ... 110 V	70 ... 250 V	Neon	M/P24121/2
	Plug with cable gland and indicator	-	150 ... 240 V	150 ... 240 V	Neon	M/P24121/3
	Indicator plug with moulded cable	1000 mm	24 V	24 V	LED,VDR	M/P43314/11
	Indicator plug with moulded cable	3000 mm	24 V	24 V	LED,VDR	M/P43314/13
	Indicator plug with moulded cable	1000 mm	110 V	110 V	LED,VDR	M/P43314/21
	Indicator plug with moulded cable	3000 mm	110 V	110 V	LED,VDR	M/P43314/23
	Indicator plug with moulded cable	1000 mm	220 V	220 V	LED,VDR	M/P43314/31
	Indicator plug with moulded cable	3000 mm	220 V	220 V	LED,VDR	M/P43314/33
	Light emitting gasket	-	12 ... 24 V	12 ... 24 V	Green LED	M/P40859
	Light emitting gasket	-	110 ... 120 V	110 ... 120 V	Green LED	M/P40886
	Light emitting gasket	-	220 ... 240 V	220 ... 240 V	Green LED	M/P40860

